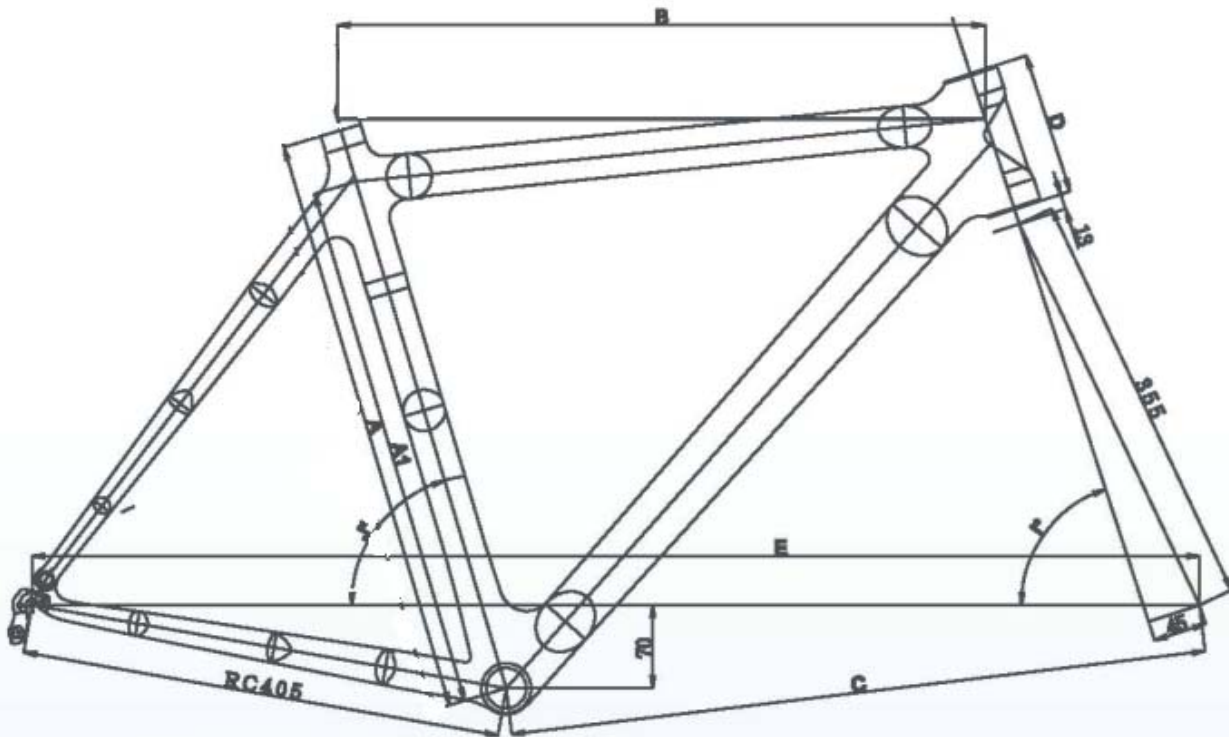


# VIPERA R888 2010



## Geometri Vipera R888

Size	A	A'	A1	B	C	D	E	I°	J°
460 (XS)	460	660	415	525	575.9	108	970.5	72°	74.5°
490 (S)	490	690	445	545	587.4	120	982.1	72°	73.5°
520 (M)	520	720	475	560	594	145	988.8	72.5°	73°
550 (L)	550	750	505	575	604.2	170	999	72.5°	72.5°
580 (XL)	580	780	535	590	619.1	195	1014	72.5°	72.5°